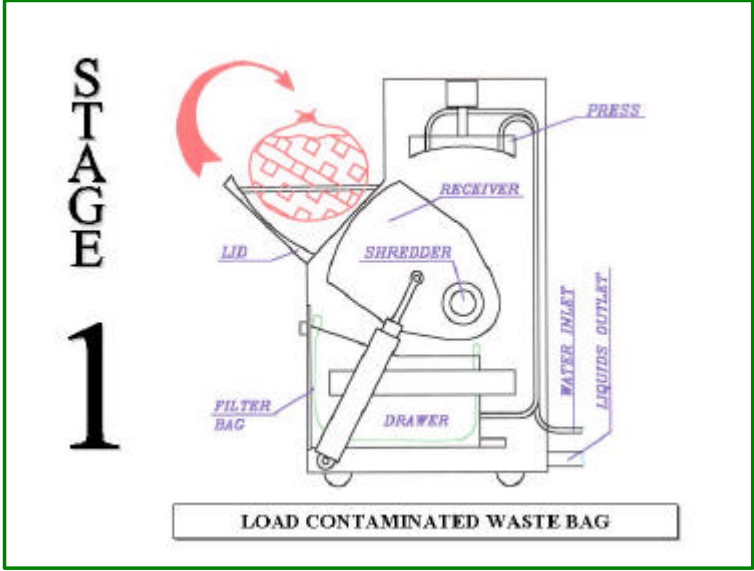
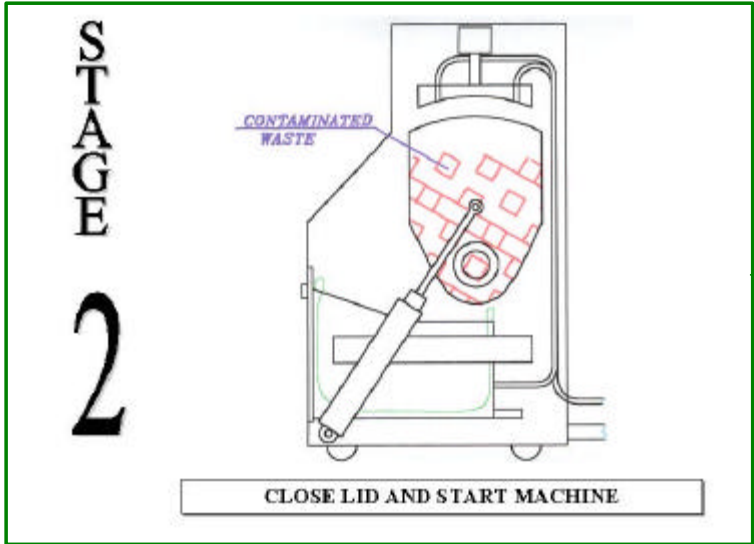


SteriMed Junior[®]
MODE OF OPERATION

The SteriMed Junior[®] effectively treats and decontaminates infectious medical waste.

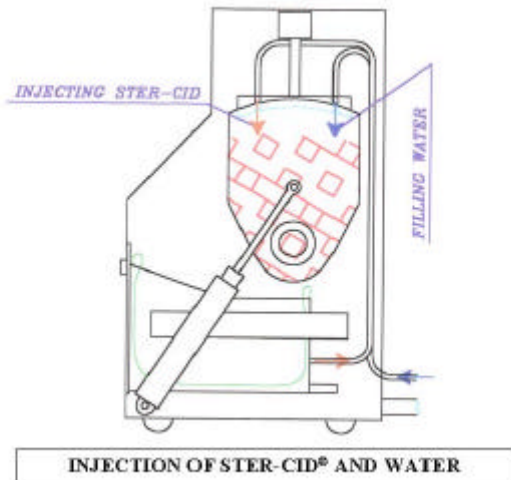


The operator places the untreated waste in the receiver of the **SteriMed Junior[®]**.



The loading door is closed and the cycle start is initiated.

STAGE
3



The first phase of the decontamination is the introduction of water and the decontaminating detergent **Ster-Cid®** into the untreated water.

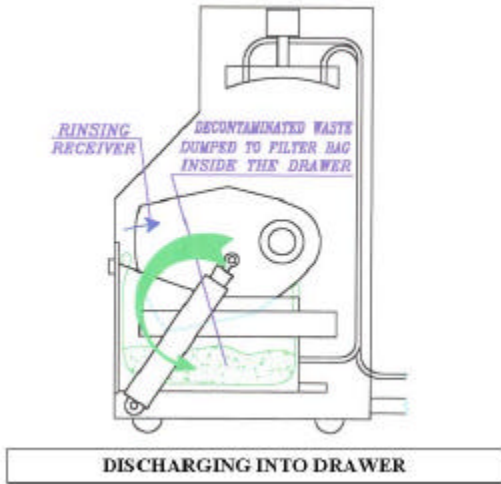
STAGE
4



The next step of operation is the 'shred' phase. The **SteriMed Junior®** will use its cutting teeth to shred and reduce the particle size of the material to a granular consistency, with particle size being approximately 1 to 2.5 cm. (¼ to ½ inch) in size.

The detergent **Ster-Cid®** simultaneously disinfects the material at the same time the shredding and mixing occurs. The shredding part of the cycle takes between 7-10 minutes on average to complete. The next phase of the cycle is the "Mix" phase. This part of the cycle further mixes the decontaminating solution throughout the treated waste, further insuring adequate decontamination of all surfaces of the shredded waste. This phase of the cycle takes 5-8 minutes.

STAGE
5



STAGE
6



The final step of the operation is the “discharge” phase. This phase takes approximately 1 minute. The receiver bucket of the **SteriMed Junior**[®] transfers the treated waste into a filter bag. The treated material is rinsed and the liquid drains from the bag. When the liquid is adequately drained and the filter bag is full, the treated material can be disposed of as regular “black bag” waste.

